

① 71

AM 51A, 71A, B

PRICE LIST

AM 6 1 A AM 6 1 B
AM 7 1 A AM 7 1 B

INDEX

Fig 1	Handle	1
Fig 2	Frame & Cover	3
Fig 3	Mission	6
Fig 4	Gear Box	9
Fig 5	Safety Cover & Knife	10

MANUFACTURER: OREC CO., LTD.

SOLE AGENT : TECHNO GREEN LTD. OSAKA, JAPAN

JULY, 1994.

AM61AB/71AB
Fig.1 Handle

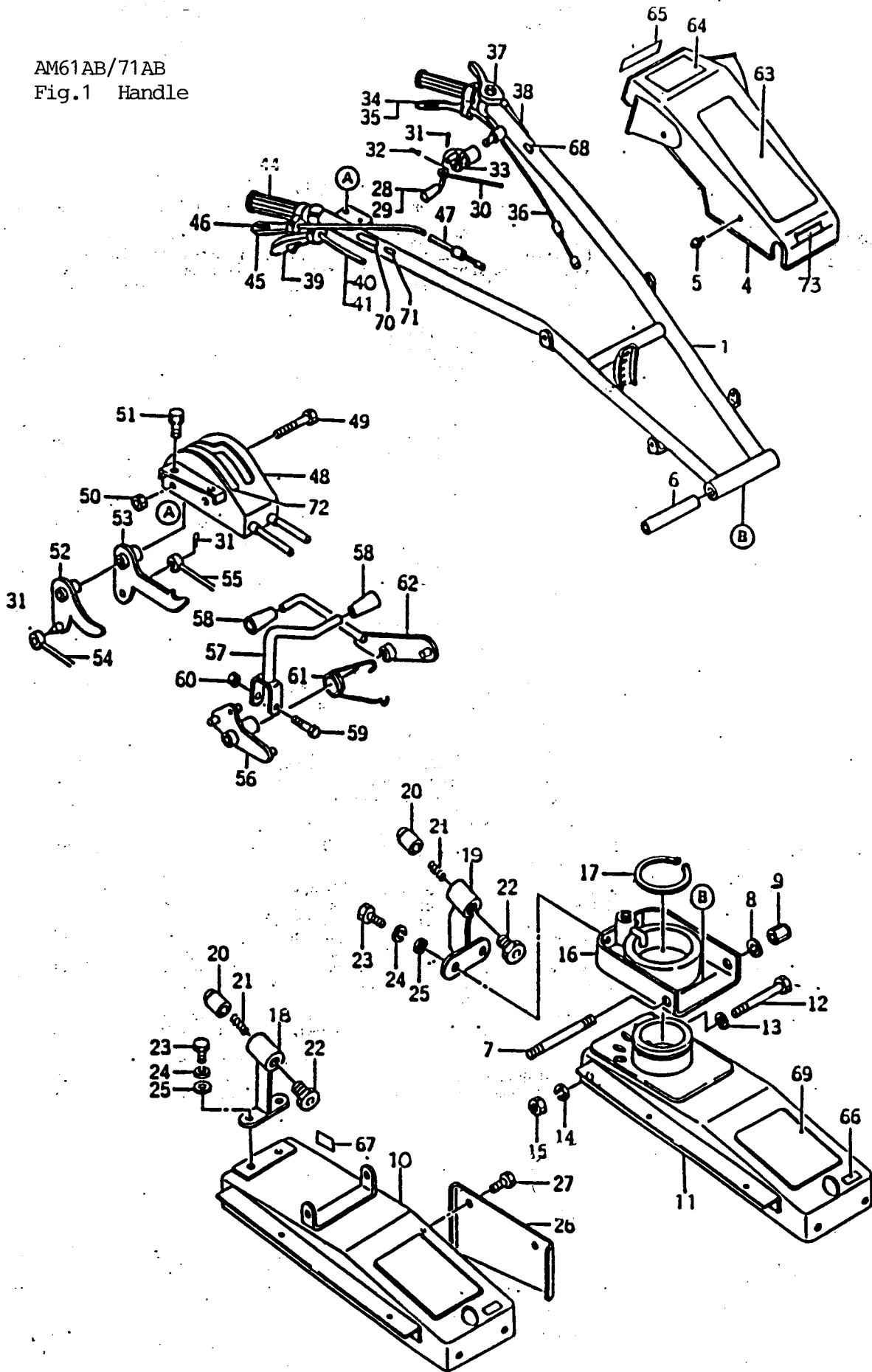


Fig 1 Handle

Ref.	Parts No.	Parts Name	Quantity				Remarks (* = Old Number)
			AM61		AM71		
			A	B	A	B	
1	80-1415-221-00	Handle	1		1		
	80-1425-221-00	Handle		1		1	
4	80-1415-223-00	Handle Bonnet	1	1	1	1	
5	89-1155-060122	+Pan Head Screw(PW) M6x12	4	4	4	4	
6	80-1210-222-00	Handle Setting Collar	1	1	1	1	
7	83-1210-133-00	Setting Bolt M12x160	1	1	1	1	
8	89-1750-120002	Spring Washer 12	2	2	2	2	
9	80-1310-228-00	Nut M12	2	2	2	2	M12
10	80-1415-732-00	Bonnet	1		1		
11	80-1425-732-00	Bonnet		1		1	
12	89-1111-101502	Hexagonal Bolt M10x150	1	1	1	1	
13	89-1711-100002	Washer 10	1	1	1	1	
14	89-1750-100002	Spring Washer 10	1	1	1	1	
15	89-1511-100042	Nut M10	1	1	1	1	
16	80-1310-203-00	Turntable for Handle		1		1	
17	89-2511-000850	Snap Ring S85		1		1	
18	80-1415-214-00	Bracket for Handle	1		1		
19	80-1445-214-00	Bracket for Handle		1		1	
20	80-1210-216-00	Stopper Pin	1	2	1	2	
21	80-1210-217-00	Stopper Spring	1	2	1	2	
22	80-1310-215-00	Stopper Cap	1	2	1	2	
23	89-1111-100202	Bolt M10x20	2	2	2	2	
24	89-1750-100002	Spring Washer 10	2	2	2	2	
25	89-1711-100002	Washer 10	2	2	2	2	
26	80-1415-746-00	Left Plate	1	1	1	1	
27	89-1131-060152	Bolt (PW) M6x15	2	2	2	2	
28	80-1415-251-00	Clutch Lever	1	1	1	1	
29	83-1210-425-00	Grip 10	1	1	1	1	
30	83-1415-941-00	Wire	1	1	1	1	
31	89-2120-200152	Split Pin 2x15	1	3	1	3	
32	89-2120-300202	Split Pin 3x20	1	1	1	1	
33	83-1565-329-00	Washer 13	1	1	1	1	
34	83-1415-453-00	Lever 27	1	1	1	1	
35	80-1210-917-00	Label	1	1	1	1	
36	83-1445-965-00	Wire	1	1	1	1	*83-1425-965-00

Fig 1 Handle

Ref.	Parts No.	Parts Name	Quantity				Remarks (*=Old Number)
			AM61		AM71		
			A	B	A	B	
37	83-1560-463-00	Throttle Lever 27	1	1	1	1	
38	83-1415-951-00	Throttle Wire	1	1	1	1	
39	83-1182-455-00	Lever 2301	1	1	1	1	
40	83-1415-932-00	Clutch Wire	1		1		
41	83-1425-937-00	Wire		1		1	
44	83-1560-414-00	Grip 27	2	2	2	2	
45	83-1415-453-00	Lever 27		1		1	
46	80-1210-918-00	Label		1		1	
47	83-1445-965-00	Wire		1		1	*83-1425-965-00
48	80-1425-231-00	Clutch Lever Case		1		1	
49	89-1111-080602	Bolt M8x60		2		2	
50	89-1551-080002	U Nut M8		2		2	
51	89-1132-080162	Bolt (SW) M8x16		2		2	
52	80-1425-245-00	Back Joint		1		1	
53	80-1425-244-00	Driving Joint		1		1	
54	83-1425-935-00	Wire		1		1	
55	80-1425-932-00	Wire		1		1	
56	80-1425-243-00	Plate		1		1	
57	80-1425-241-00	Lever		1		1	
58	83-1210-425-00	Grip 10		2		2	
59	89-1111-060352	Bolt M6x35		1		1	
60	89-1551-060002	Nut M6		1		1	
61	80-1425-248-00	Spring		1		1	
62	80-1425-247-00	Lever		1		1	
63	80-1415-905-00	Label	1	1	1	1	Auto Mower
64	80-1415-907-00	Label	1				
	80-1425-907-00	Label		1			
	80-1435-907-00	Label			1		
	80-1445-907-00	Label				1	
65	80-1415-911-00	Label (LNT)	1	1	1	1	
66	83-1210-913-00	Label (0.4)	1	1	1	1	
67	83-1415-927-00	Label (1.2)	1	1	1	1	
68	80-1415-915-00	Label	1	1	1	1	
69	80-1425-908-00	Label		1		1	
70	80-1781-906-00	Label		1		1	
71	80-1415-914-00	Label	1		1		
72	80-1425-912-00	Label		1		1	
73	83-1310-902-00	OREC Mark	1	1	1	1	

AM61AB/71AB

Fig.2 Frame / Cover

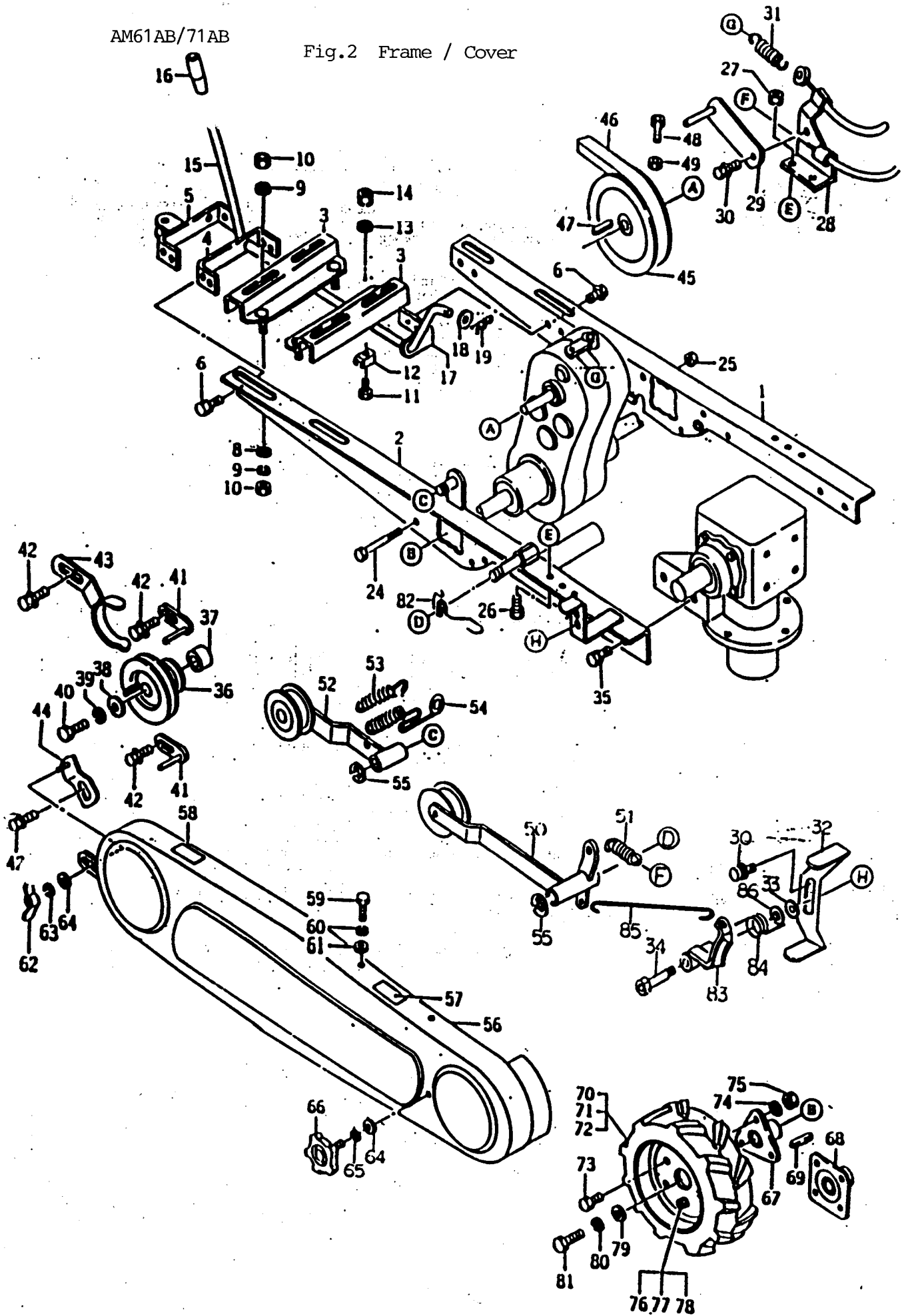


Fig 2 Frame & Cover

Ref.	Parts No.	Parts Name	Quantity				Remarks (* = Old Number)
			AM61		AM71		
			A	B	A	B	
1	80-1415-301-00	Frame (Left)	1	1	1	1	
2	80-1415-305-00	Frame (Right)	1	1	1	1	
3	80-1415-311-10	Engine Fitting Plate with Bolt	2	2	2	2	
4	80-1415-326-00	Bracket (REAR)	1	1			
5	80-1445-326-00	Bracket (REAR)			1	1	
6	89-1132-080162	Bolt (SW) M8x16	6	6	6	6	
8	89-1711-100002	Washer 10	4	4	4	4	
9	89-1750-100002	Spring Washer 10	4	4	4	4	
10	89-1511-100042	Nut M10	4	4	4	4	
11	89-1111-100452	Bolt M10x45	4	4	4	4	
	89-1111-080402	Bolt M8x40	4	4	4	4	OHV:6,7PS(K,M)
12	83-1210-389-00	Whirl Stop Plate A 10	4	4	4	4	
	83-1210-388-00	Whirl Stop Plate B 8	4	4	4	4	OHV:6,7PS(K,M)
13	89-1711-100002	Washer 10	4	4	4	4	
	89-1711-080002	Washer 8	4	4	4	4	OHV:6,7PS(K,M)
14	89-1541-100002	Nut (SW) M10	4	4	4	4	
	89-1541-080002	Nut (SW) M8	4	4	4	4	OHV:6,7PS(K,M)
15	80-1415-263-00	Change Lever	1	1	1	1	
16	83-1711-426-00	Grip 12	1	1	1	1	
17	80-1415-327-00	Fitting for Change Rod	1	1	1	1	
18	89-1711-120002	Washer 12	1	1	1	1	
19	89-2131-120002	Snap Pin 12	1	1	1	1	
24	89-1251-081452	Bolt, M8x145	4	4	4	4	
25	89-1541-080002	Nut (SW) M8	4	4	4	4	
26	89-1111-080202	Bolt M8x20	2	2	2	2	
27	89-1541-080002	Nut (SW) M8	2	2	2	2	
28	80-1415-351-00	Stopper for Knife Tension Wire	1	1	1	1	
29	80-1415-563-10	Belt Support	1	1	1	1	*80-1415-563-00
30	89-1133-080162	Bolt (PW, SW) M8x16	2	2	2	2	
31	80-1751-246-00	Clutch Spring (FR)		1		1	
32	80-1415-577-00	Front Belt Supporter	1	1	1	1	
33	83-1210-386-00	GT Washer 8	1	1	1	1	
34	80-1415-516-00	Attachment for Front Belt Cover	1	1	1	1	
35	89-1132-100202	Hexagonal Bolt (SW) M10x20	4	4	4	4	
36	80-1415-514-00	Engine Pulley 20	1	1			5PS Only

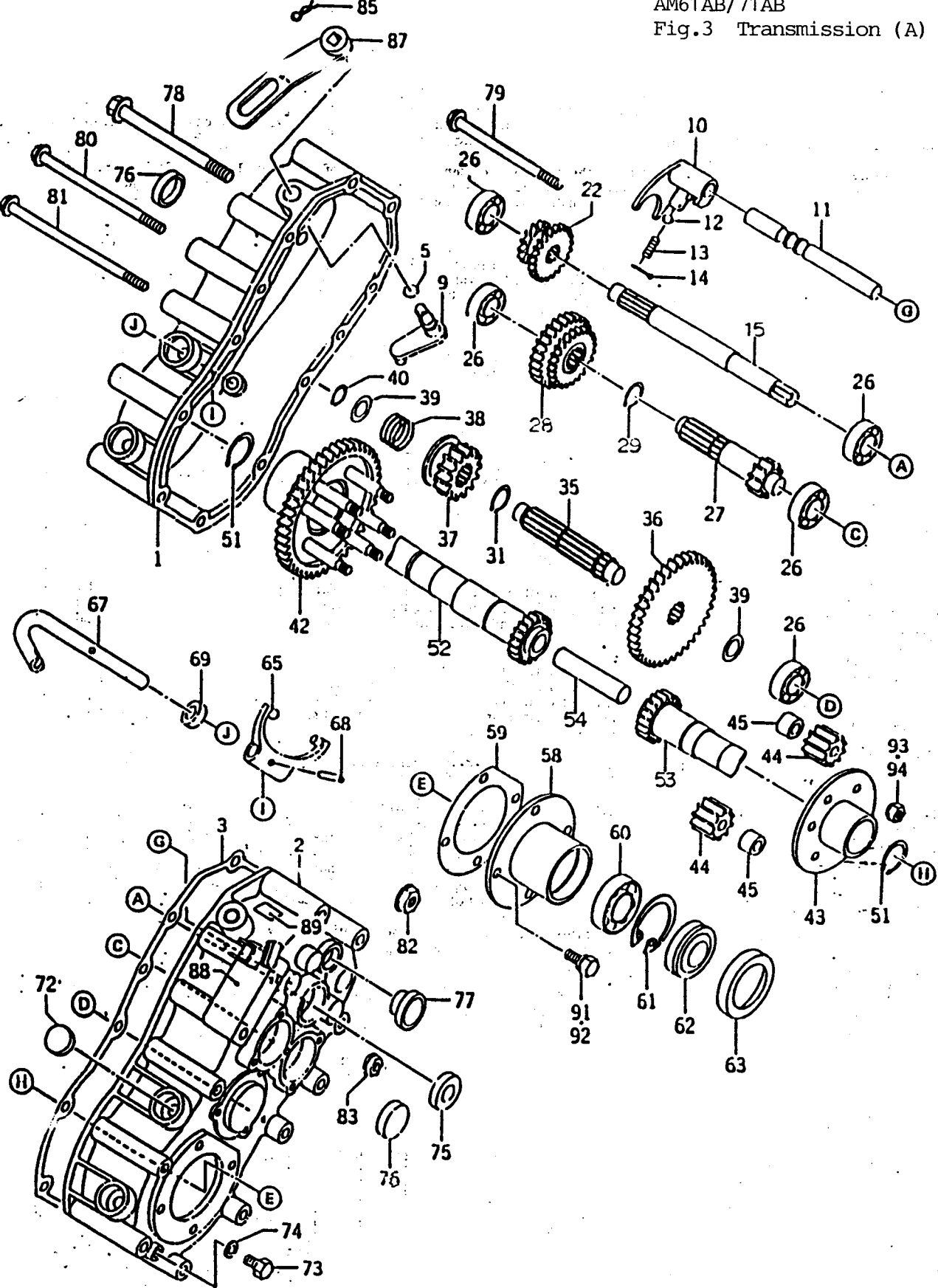
Fig 2 Frame & Cover

Ref.	Parts No.	Parts Name	Quantity				Remarks (* = Old Number)
			AM61		AM71		
			A	B	A	B	
36	80-1445-514-00	Engine Pulley 25	1	1	1	1	∅ 25
37	80-1415-515-00	Pulley Collar L15 20	1	1			5PS Only
	80-1445-515-00	Pulley Collar L15 25	1	1	1	1	
38	83-1415-312-00	Washer 8x30x3.2	1	1	1	1	
39	89-1750-080002	Spring Washer 8	1	1	1	1	
40	89-1113-080202	Bolt 8T M8x20	1	1	1	1	OHV:7PS(K,M)
	89-1113-080302	Bolt 8T M8x30	1	1	1	1	OHV:6PS(K,M,C)
41	80-1415-562-10	Knife Belt Support	2	2	2	2	
42	89-1133-080202	Bolt PW, SW, M8x20	3	4	3	4	
43	80-1425-561-10	Supporter		1		1	Long Hole 60
44	80-1415-507-10	Belt Cover Attachment	1	1	1	1	
45	80-1415-521-00	Transmission Pulley	1	1	1	1	
46	89-6122-003700	V Belt LA-37	1	1	1	1	OHV:7PS(K)
	89-6122-003800	V Belt LA-38	1	1	1	1	OHV:6PS(K,M,C)
	89-6122-003800	V Belt LA-38	1	1	1	1	OHV:7PS(M)
47	89-2151-050250	Key 5x5x25	1	1	1	1	
48	83-1415-119-00	Bolt M8x20	1	1	1	1	
49	89-1511-080042	Nut M8	1	1	1	1	
50	80-1415-548-00	Knife Tension Arm	1	1	1	1	
51	80-1310-551-00	Tension Pulling Spring	1	1	1	1	
52	80-1415-542-00	Tension Arm	1	1	1	1	
53	80-1425-551-00	Tension Pulling Spring		1		1	
54	80-1415-551-00	Arm Pulling Spring	1		1		
55	89-2521-000150	Snap Ring E Type 15	2	2	2	2	
56	80-1415-502-00	Belt Cover	1	1	1	1	
57	83-1032-906-00	Label	1	1	1	1	
58	83-1210-909-00	Label	1	1	1	1	
59	89-1111-060152	Bolt M6x15	1	1	1	1	
60	89-1750-060002	Spring Washer 6	1	1	1	1	
61	89-1711-060002	Washer 6	1	1	1	1	
62	89-1642-080002	Butterfly Nut M8	1	1	1	1	
63	89-1750-080002	Spring Washer 8	1	1	1	1	
64	89-1711-080002	Washer 8	2	2	2	2	
65	89-1812-080002	Washer 8	1	1	1	1	
66	83-1560-101-00	Knob Bolt M8x15	1	1	1	1	

Fig 2 Frame & Cover

Ref.	Parts No.	Parts Name	Quantity				Remarks (* = Old Number)
			AM61		AM71		
			A	B	A	B	
67	80-1415-413-00	Wheel Boss	2	2			
68	80-1565-413-00	Wheel Boss			2	2	
69	89-2151-070400	Key 7x7x40	2	2	2	2	
70	80-1210-411-00	Tire Assy (Left) 350-6	1	1			
~72	80-1230-411-00	Tire Assy (Left) 350-7			1	1	
	80-1210-412-00	Tire Assy (Right) 350-6	1	1			
70	80-1230-412-00	Tire Assy (Right) 350-7			1	1	
	80-1210-401-00	Tire	2	2			
71	80-1230-401-00	Tire			2	2	
	80-1210-404-00	Tube	2	2			
72	80-1711-404-00	Tube			2	2	
	80-1210-407-00	Wheel Assy	2	2			
73	80-1230-407-00	Wheel			2	2	
	89-1111-080162	Bolt M8x16	6	6			
74	89-1111-100162	Bolt M10x16			8	8	
	89-1750-080002	Spring Washer 8	6	6			
75	89-1750-100002	Spring Washer 10			8	8	
	89-1511-080042	Nut M8		6			
76	89-1511-100042	Nut M10			8	8	
	89-1111-080162	Bolt M8x16	6	6			
77	89-1111-080202	Bolt M8x20			8	8	
	89-1750-080002	Spring Washer 8	6	6	8	8	
78	89-1511-080042	Nut M8	6	6	8	8	
79	83-1610-321-00	Washer 10x36x4.5	2	2	2	2	
80	89-1750-100002	Spring Washer 10	2	2	2	2	
81	89-1111-100302	Bolt M10x30	2	2	2	2	
82	80-1415-568-00	Spring	1	1	1	1	
83	80-1415-371-00	Knife Brake	1	1	1	1 with Bush 12-20	
84	80-1415-373-00	Spring	1	1	1	1	
85	80-1415-374-00	Brake Rod	1	1	1	1	
86	83-1754-329-00	Washer 13x22x1.0				for Adjustment	
	83-1565-329-00	Washer 13x22x2.3				for Adjustment	

AM61AB/71AB
Fig.3 Transmission (A)



AM61AB/71AB

Fig.3 Transmission (B)

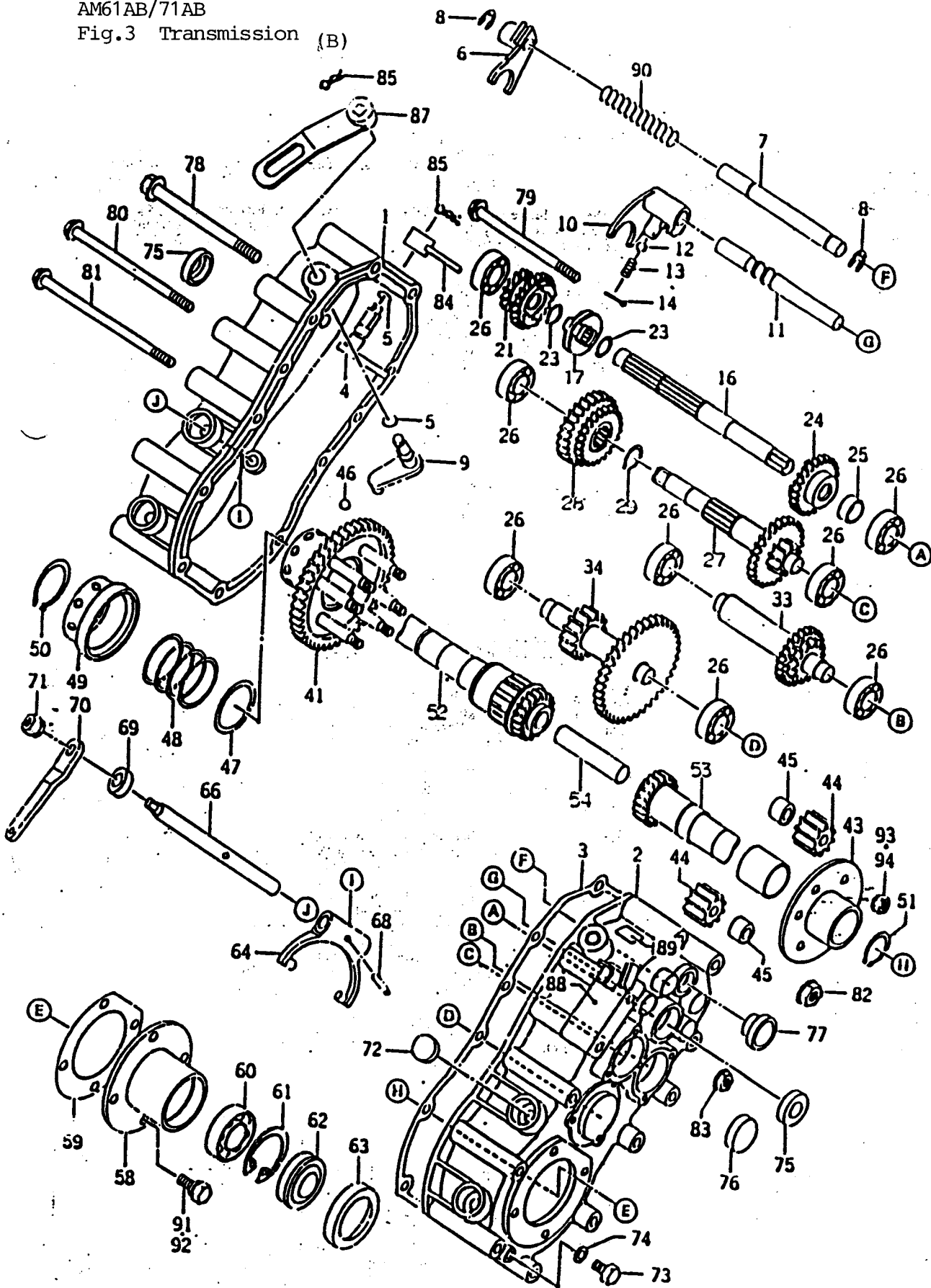


Fig 3 Mission

Ref.	Parts No.	Parts Name	Quantity				Remarks (* = Old Number)
			AM61		AM71		
			A	B	A	B	
1~	80-1415-100-00	Gear Case Assy	1				
94	80-1425-100-00	Gear Case Assy		1			
1	80-1435-100-00	Gear Case Assy			1		
	80-1445-100-00	Gear Case Assy				1	
	80-1415-101-00	Gear Case (Left)	1		1		
	80-1425-101-00	Gear Case (Left)		1		1	
2	80-1415-103-00	Gear Case (Right)	1	1	1	1	
3	80-1415-105-00	Case Packing	1	1	1	1	
4	80-1425-106-00	Swing Arm (FR)		1		1	
5	89-5221-000900	Ring O Type	1	2	1	2	
6	80-1425-108-10	Shifter Fork 26		1		1	
7	80-1425-107-10	Shifter Fork Shaft		1		1	
8	89-2521-000120	Snap Ring E Type 12		2		2	
9	80-1415-109-00	Swing Arm	1	1	1	1	
10	80-1415-111-00	Shifter Fork	1	1	1	1	
11	80-1415-110-00	Shifter Fork Shaft	1	1	1	1	
12	89-3410-075000	Steel Ball 7.5	1	1	1	1	
13	80-1310-138-00	Spring 1.4	1	1	1	1	
14	89-2120-200202	Split Fin 2x20	1	1	1	1	
15	80-1415-118-00	The 1st Shaft	1		1		
16	80-1425-118-10	The 1st Shaft		1		1	
17	80-1425-117-00	Clutch		1		1	
21	80-1425-119-10	The 1st Shaft Gear		1		1	
23	80-1415-119-00	The 1st Shaft Gear	1		1		
	89-2511-000160	Snap Ring (S16)		2		2	
24	80-1425-121-10	The 4st Shaft Gear		1		1 *80-1425-121-00	
25	80-1425-126-10	The 1st Shaft Gear		1		1 *80-1425-126-00	
26	89-3111-062024	Ball Bearing (6202)	6	8	6	8	
27	80-1415-127-00	The 2nd Shaft	1		1		
	80-1425-127-10	The 2nd Shaft		1		*80-1425-127-00	
28	80-1415-131-00	Shifter Gear	1	1	1	1	
29	89-2511-000200	Snap Ring (S20)	1	1	1	1	
33	80-1425-122-10	Back Shaft Complet		1		1	
34	80-1425-134-10	The 3rd Shaft Complet		1		1 *80-1425-134-00	
35	80-1415-134-00	The 3rd Shaft	1		1		

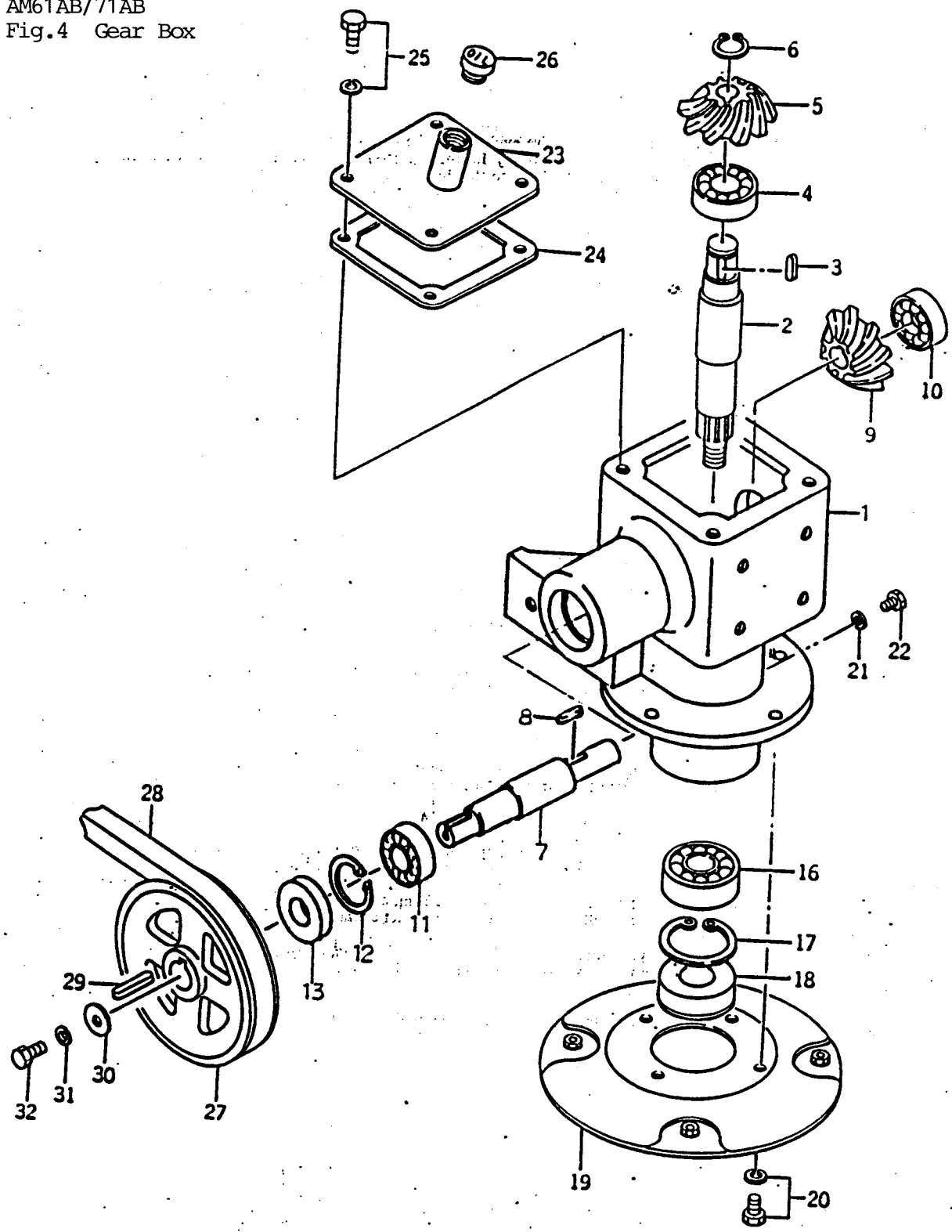
Fig 3 Mission

Ref.	Parts No.	Parts Name	Quantity				Remarks (* = Old Number)
			AM61		AM71		
			A	B	A	B	
36	80-1415-135-00	The 3rd Shaft Gear 41TG	1		1		
37	80-1415-136-00	The 3rd Shaft Gear 14T	1		1		
38	80-1410-162-00	Clutch Spring	1		1		*80-1415-162-00
39	83-1633-362-00	Thrust Washer 15x26x1.2	2		2		
40	89-2511-000150	Snap Ring 15	1		1		
41	80-1425-148-00	Axle Gear 44TG		1		1	
42	80-1415-148-00	Axle Gear 44TG	1		1		with Bush 28-30
43	80-1415-149-00	Plate	1	1	1	1	with Bush 28-30
44	80-1415-144-00	Gear 12T	4	4	4	4	
45	80-1415-145-00	Gear Shaft Collar	4	4	4	4	
46	89-3410-075000	Steel Ball 7.5		3		3	
47	83-1830-382-00	Thrust Washer		1		1	
48	80-1751-162-00	Spring (ST302)		1		1	
49	80-1425-143-00	Cone		1		1	
50	89-2511-000400	Snap Ring (S40)		1		1	
51	89-2511-000280	Snap Ring (S28)	2	1	2	1	
52	80-1415-146-10	Axle (Left) Complet 262	1				
	80-1425-146-10	Axle (Left) Complet 262		1			*80-1425-146-00
53	80-1435-146-00	Axle (Left) Complet 297			1		
	80-1445-146-10	Axle (Left) Complet 297				1	
	80-1415-147-00	Axle (Right) Complet 248	1	1			
54	80-1445-147-10	Axle (Right) Complet 283			1	1	
	80-1415-150-00	Axle Pin (SM602)	1	1	1	1	
58	80-1415-156-00	Axle BB Case (48)	2	2	2	2	
59	80-1415-157-00	Axle Packing	2	2	2	2	
60	89-3111-060054	Ball Bearing (6005)	2	2	2	2	
61	89-2512-000470	Snap Ring (T47)	2	2	2	2	
62	83-1415-663-00	Oil Seal (AP.30.47.7)	2	2	2	2	with Adaptor
63	80-1415-441-00	Dust Cover (SM602)	2	2	2	2	
64	80-1830-113-00	Fork		1		1	
65	80-1415-114-00	Clutch Fork	1		1		
66	80-1425-112-00	Fork Shaft		1		1	
67	80-1415-112-00	Clutch Fork Shaft	1		1		
68	89-2111-050020	Spring Roll Pin (5x20)	1	1	1	1	
	89-2111-030020	Spring Roll Pin (3x20)	1	1	1	1	

Fig 3 Mission

Ref.	Parts No.	Parts Name	Quantity				Remarks (* = Old Number)
			AM61		AM71		
			A	B	A	B	
69	89-5121-122207	Oil Seal UE 12.22.7	1	1	1	1	
70	80-1425-153-00	Arm		1		1	
71	89-1541-080002	Nut (SW) M8		1		1	
72	83-1415-671-00	Blacking Cover 22	3	3	3	3	
73	89-1111-080122	Bolt M8x12	1	1	1	1	
74	89-5230-080000	Seal Washer 8	1	1	1	1	
75	89-5121-153007	Oil Seal UE 15.30.7	1	2	1	2	
76	83-1415-672-00	Blacking Cover 30	3	2	3	2	
77	83-1110-683-00	Oil Cap 20	2	2	2	2	
78	89-1251-101152	Bolt, Flange M10x115	1	1	1	1	
79	89-1251-081122	Bolt, Flange M8x112	2	2	2	2	
80	89-1251-081302	Bolt, Flange M8x130	1	1	1	1	
81	89-1251-081452	Bolt, Flange M8x145	4	4	4	4	
82	89-1555-100002	U Type Nut, Flange M10	1	1	1	1	
83	89-1555-080002	U Type Nut, Flange M8	7	7	7	7	
84	80-1425-192-10	Change Arm		1		1	
85	89-2131-080002	Snap Pin 8	1	2	1	2	
87	80-1415-194-00	Change Arm	1	1	1	1	
88	80-1415-199-00	Wire Fitting	1		1		
	80-1445-214-00	Wire Fitting 2 PC		1		1	*80-1425-199-00
89	80-1415-909-00	Label	1				
	80-1425-909-00	Label		1			
90	80-1435-909-00	Label			1		
	80-1445-909-00	Label				1	
	80-1425-160-10	Shifter Spring 68		1		1	
91	89-1111-080182	Bolt M8x18	8	8	8	8	
92	89-1750-080002	Spring Washer 8	8	8	8	8	
93	89-1513-080042	Nut M3 (Variety 3)	6	6	6	6	
94	89-1750-080002	Spring Washer 8	6	6	6	6	

AM61AB/71AB
Fig.4 Gear Box



AM61A 61B, AM71A, 71B

Fig 4 Gear Box

Ref.	Parts No.	Parts Name	Quantity				Remarks (*Old Number)
			AM61		AM71		
			A	B	A	B	
1~							
26	80-1415-600-10	Gear Case Assy	1	1	1	1	
1	80-1415-601-10	Gear Case	1	1	1	1	
2	80-1415-641-00	Shaft	1	1	1	1	
3	89-2150-050250	Key 5x5x25	1	1	1	1	
4	89-3111-062054	Bearing 6205	1	1	1	1	
5	80-1415-622-00	Bevel Gear 20T, Right	1	1	1	1	
6	89-2511-000200	Snap Ring S20	1	1	1	1	
7	80-1415-616-00	Shaft	1	1	1	1	
8	89-2150-050250	Key 5x5x25	1	1	1	1	
9	80-1415-618-00	Bevel Gear 20T, Left	1	1	1	1	
10	89-3111-062044	Bearing 6204	1	1	1	1	
11	89-3111-062054	Bearing 6205	1	1	1	1	
12	89-2512-000520	Snap Ring 52	1	1	1	1	
13	89-5121-255208	Oil Seal UE 25.52.8	1	1	1	1	
16	89-3111-060064	Bearing 6006	1	1	1	1	
17	89-2512-000550	Snap Ring R55	1	1	1	1	
18	83-1415-662-00	Oil Seal AP 35.55.8	1	1	1	1	with Adaptor
19	80-1415-653-10	Safety Cover	1	1	1	1	
20	89-1132-080162	Bolt SW M8x16	4	4	4	4	
21	89-5230-100000	Seal Washer SW-10	1	1	1	1	
22	89-1111-100122	Bolt M10x12	1	1	1	1	
23	80-1415-606-00	Gear Case Cap	1	1	1	1	
24	80-1713-607-00	Gear Case Packing	1	1	1	1	
25	89-1132-080162	Bolt SW M8x16	4	4	4	4	
26	83-1210-684-00	Oil Cap KRM-42	1	1	1	1	
27	80-1415-571-00	Knife Pulley	1	1	1	1	
28	89-6123-007000	V Belt LB-70	1	1	1	1	OHV:6,7PS(K)
29	89-6123-007100	V Belt LB-71			1	1	OHV:7PS(M)
	89-2151-050250	Key 5x5x25	1	1	1	1	
30	83-1415-312-00	Washer 8x30x3.2	1	1	1	1	
31	89-1750-080002	Spring Washer 8	1	1	1	1	
32	89-1113-080252	Bolt 8T M8x25	1	1	1	1	

AM61AB/71AB
Fig.5 Safety Cover / Knife

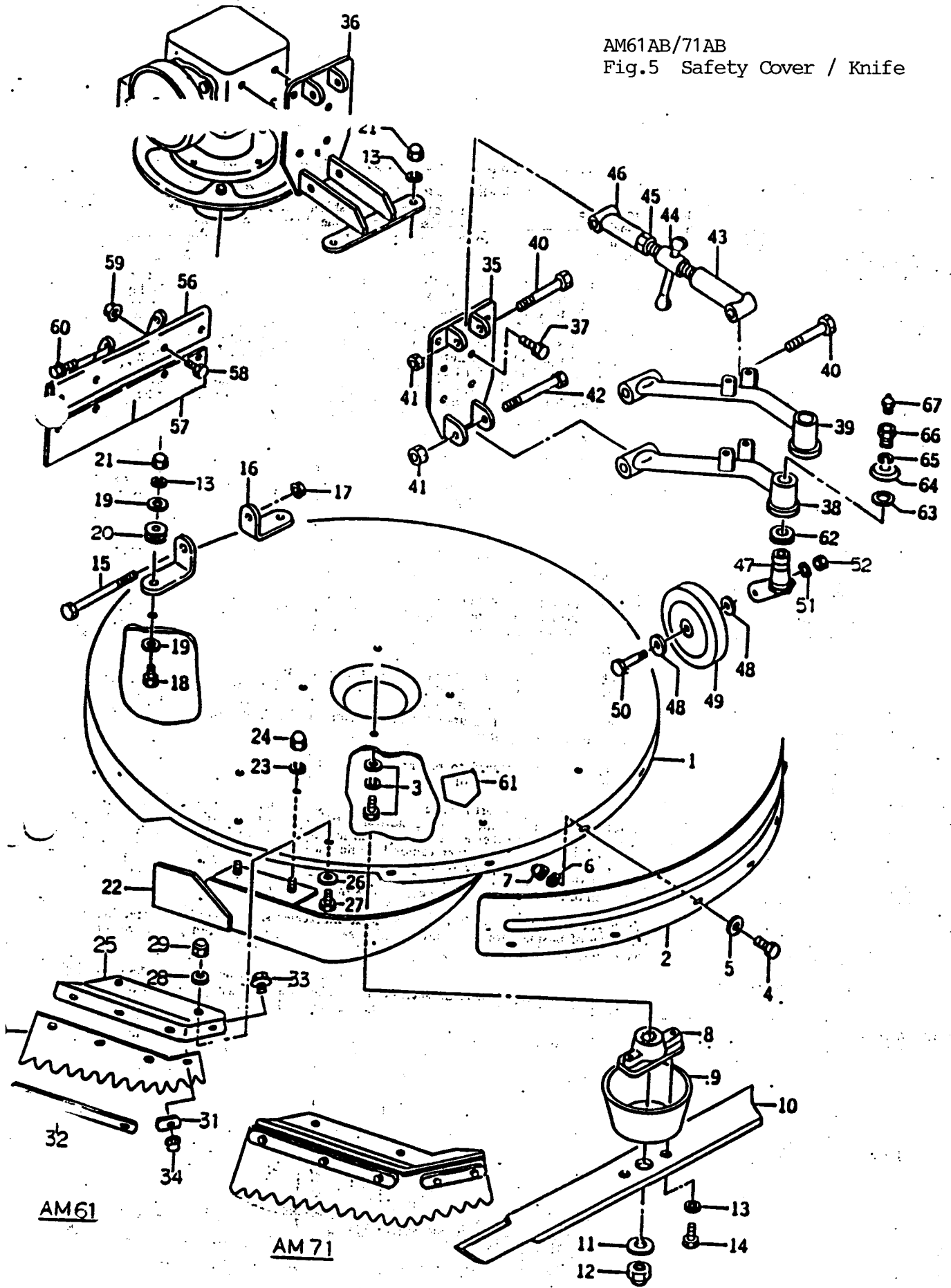


Fig 5 Safety Cover & Knife

Ref.	Parts No.	Parts Name	Quantity				Remarks (*Old Number)
			AM61		AM71		
			A	B	A	B	
1	80-1415-731-10	Safety Cover	1	1			
2	80-1445-731-10	Safety Cover			1	1	
	80-1450-733-00	Front Protection	1	1	1	1	
3	89-1133-080162	Bolt PW,SW, M8x16	4	4	4	4	
4	89-1113-080162	Bolt M8x16	6	6	6	6	
5	89-1711-080002	Washer 8	6	6	6	6	
6	83-1210-386-00	GT Washer 8	6	6	6	6	
7	89-1571-080042	Cap Nut M8	6	6	6	6	
8	84-1763-833-00	Support	1	1	1	1	
9	80-1415-836-00	Protection	1	1	1	1	
10	80-1415-821-00	Knife	1	1			
11	80-1445-821-00	Knife			1	1	
	89-1750-160002	Spring Washer 16	1	1	1	1	
12	89-1572-160042	Cap Nut M16 P1.5	1	1	1	1	
13	89-1750-100002	Spring Washer 10	4	4	6	6	
14	89-1113-100252	Bolt 8T M10x25	2	2	2	2	
15	89-1113-081602	Bolt 8T M8x160	1	1	1	1	
16	80-1415-707-10	Support	2	2	2	2	
17	89-1541-080002	Nut SW M8	1	1	1	1	
18	80-1450-709-00	Bolt	2	2	4	4	
19	83-1565-328-00	Washer 12x25x2.3	2	2	4	4	
20	83-1450-667-00	Grommet	2	2	4	4 *80-1450-719-00	
21	89-1571-100042	Cap Nut M10	2	2	4	4	
22	80-1415-761-00	Guided Plate	1	1			
23	80-1445-761-00	Guided Plate			1	1	
	89-1750-080002	Spring Washer 8	2	2	2	2	
24	89-1571-080042	Cap Nut M8	2	2	2	2	
25	80-1415-757-00	Side Guard	1	1			
26	80-1435-757-00	Side Guard			1	1	
	89-1711-080002	Washer 8	2	2	2	2	
27	89-1111-080162	Bolt M8x16	2	2	2	2	
28	89-1750-080002	Spring Washer 8	2	2	2	2	
29	89-1571-080042	Cap Nut M8	2	2	2	2	
30	80-1415-785-00	Side Guard Flapper	1	1			
	80-1435-785-00	Side Guard Flapper			1	1	

Fig 5 Safety Cover & Knife

Ref.	Parts No.	Parts Name	Quantity				Remarks (*Old Number)
			AM61		AM71		
			A	B	A	B	
31	80-1415-788-00	Flapper Holder (F) GH60	1	1			
32	80-1435-788-00	Flapper Holder (F) GH70			1	1	
	80-1415-789-00	Flapper Holder (B) GH60	1	1			
33	80-1435-789-00	Flapper Holder (B) GH70			1	1	
	89-1131-060162	Bolt PW M6x16	4	4	5	5	
34	83-1575-189-00	Flange Cap Nut M6	4	4	5	5	
35	80-1415-721-00	Arm	1	1			
36	80-1445-721-10	Arm			1	1	
37	89-1132-080162	Bolt SW M6x16	6	6	6	6	
38	80-1415-723-10	Arm	1	1			
39	80-1445-723-10	Arm			1	1	
40	89-1111-120602	Bolt M12x60	2	2	2	2	
41	89-1551-120002	U Type Nut M12	3	3	3	3	
42	89-1111-120852	Bolt M12x85	1	1	1	1	
43	80-1415-741-00	Receiver for Adjusting Bolt (Left)	1	1	1	1	
44	80-1415-743-00	Adjusting Bolt	1	1	1	1	
45	89-1511-160042	Nut M16	1	1	1	1	
46	80-1415-742-00	Receiver for Adjusting Bolt (Right)	1	1	1	1	
47							
~52	80-1415-720-10	Front Wheel Assy	1	1	1	1	
47	80-1455-725-00	Front Wheel Fork	1	1	1	1	
48	89-1711-120002	Washer 12	2	2	2	2	
49	80-1610-727-00	Front Wheel	1	1	1	1	
50	89-1113-120752	Bolt 8T M12x75	1	1	1	1	
51	89-1750-120002	Spring Washer 12	1	1	1	1	
52	89-1511-120042	Nut M12	1	1	1	1	
56	80-1415-751-00	Protection	1	1	1	1	
57	80-1415-781-00	Flapper W400	1	1			
58	80-1445-781-00	Flapper W470			1	1	
	89-1111-060162	Bolt M6x16	4	4	4	4	
59	83-1712-194-00	Nut M6	4	4	4	4	
60	89-1133-080202	Bolt PW,SW M8x20	2	2	2	2	
61	83-1415-906-00	Label	1	1	1	1	
62	89-3370-051105	Thrust Bearing 51105	1	1	1	1	
63	83-1783-376-00	Washer 25x34x1.0	1	1	1	1	
64	84-1783-729-00	Dust Cover	1	1	1	1	
65	89-1750-140002	Spring Washer 14	1	1	1	1	
66	84-1783-791-00	Nipple Bolt M14	1	1	1	1	
67	83-1415-975-00	Grease Nipple A-MT6x1	1	1	1	1 P=1.0	